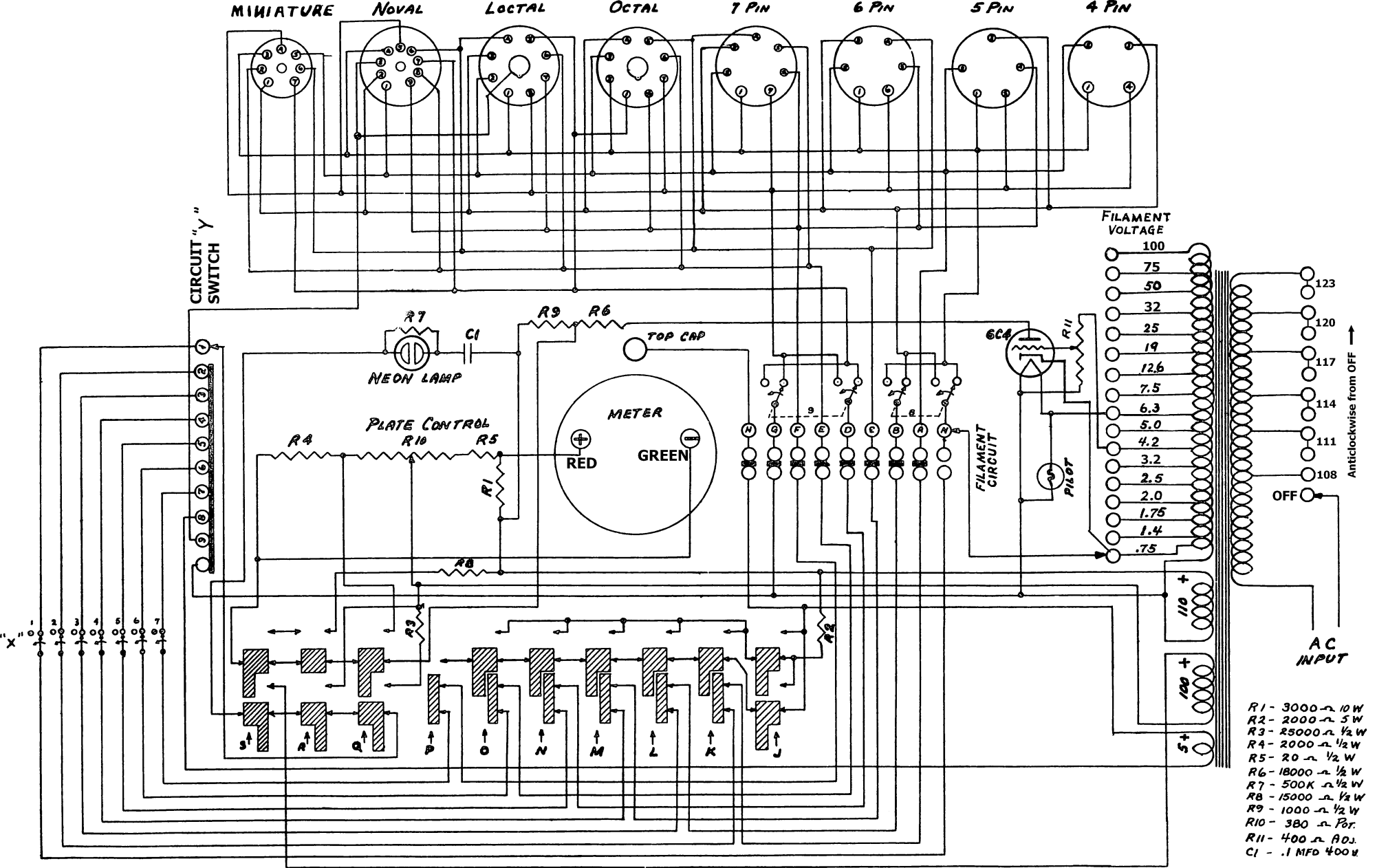


ALL SWITCHES ARE SHOWN
IN NORMAL POSITION

THE JACKSON ELECTRICAL INSTRUMENT CO. DAYTON, OHIO	
MODEL 561 <i>Circuit Diagram</i>	
DATE 1-16-56	SCALE
DWN. BY G.H.H.	CHKD. BY
PART NO. C-537	REV. NO.
DRAWING NO. C-C-537 TubeSound rev 1	



ALL SWITCHES ARE SHOWN
IN NORMAL POSITION

THE JACKSON ELECTRICAL INSTRUMENT CO. DAYTON, OHIO	
MODEL 561 CIRCUIT DIAGRAM	
DATE 1-16-56	SCALE
DWN. BY G.H.H.	CHKD. BY
PART NO. C-537	REV. NO.
DRAWING NO. C-C-537 TubeSound rev 2	